



ford.com

VEHICLE DESCRIPTION

# F-150 LIGHTNING

## PW G39814

2023 F-150 4X4 SUPERCREW  
145" WHEELBASE  
DUAL EMOTOR-STANDARD BATTERY  
SINGLE-SPEED TRANSMISSION

EXTERIOR OXFORD WHITE  
INTERIOR BLACK LTHR TRIM BUCKET SEAT

STANDARD EQUIPMENT INCLUDED AT NO EXTRA CHARGE

**EXTERIOR**

- BOX LIGHTING-LED
- BOXLINK™
- HEADLAMPS - AUTO HIGH BEAM
- HEADLAMPS - AUTOLAMP (ON/OFF)
- LARGE FRONT TRUNK AREA
- LED PROJECTOR W/ DYNAMIC BENDING HEADLAMPS
- LOCKING REMOVABLE TAILGATE WITH TAILGATE ASSIST
- PICKUP BOX TIE DOWN HOOKS
- POWER MIRRORS - FOLDABLE
- POWER UP/DOWN FRONT HOOD
- POWER UP/DOWN TAILGATE

**INTERIOR**

- 10-WAY PWR DRV & MULTI-ADJ PWR FRT PASS
- 12" PRODUCTIVITY SCREEN
- 1 TOUCH UP/DOWN DR/PASS WIN
- 60/40 FOLD-UP REAR BENCH
- A/C W/DUAL CLIMATE CONTROL
- AMBIENT LIGHTING
- AUTO-DIM REARVIEW MIRROR
- HTD/VENTILATED FRT SEATS
- ILLUMINATED ENTRY
- INTERIOR WORK SURFACE
- PEDALS - POWER ADJUSTABLE
- SLIDING REAR WINDOW W/ DEFROST & PRIVACY GLASS

**FUNCTIONAL**

- 360-DEGREE CAMERA
- B&O SOUND SYSTEM, 8 SPKR
- BLIS W/CROSS-TRAFFIC ALERT
- CLASS IV TRAILER HITCH
- EVASIVE STEERING ASSIST
- FORDPASS CONNECT™ 4G HOTSPOT TELEMATICS MODEM
- FORWARD SENSING SYSTEM
- INTELL ADAPT CRUISE CTRL
- LANE-KEEPING SYSTEM
- POST-COLLISION BRAKING
- PRE-COLLISION ASSIST W/AEB
- SECURICODE, KEYLESS ENTRY
- SELECTABLE DRIVE MODES
- SYNC@4A W/EVR & 15.5" SCR N

**SAFETY/SECURITY**

- ADVANCED SECURITY PACK
- AIRBAGS - FRONT SEAT MOUNTED SIDE IMPACT
- AIRBAGS - SAFETY CANOPY@
- LED CTR HIGH MNT STOP LAMP
- PERIMETER ALARM
- SOS POST-CRASH ALERT SYSTM™

**WARRANTY**

- 3YR/36,000 BUMPER / BUMPER
- 5YR/60,000 POWERTRAIN
- 5YR/60,000 ROADSIDE ASSIST
- 5YR/60,000 SAFETY RESTRAINT SYS
- 8YR/100,000 ELECTRIC VEHICLE COMPONENTS

INCLUDED ON THIS VEHICLE

(MSRP)

**EQUIPMENT GROUP 510A**

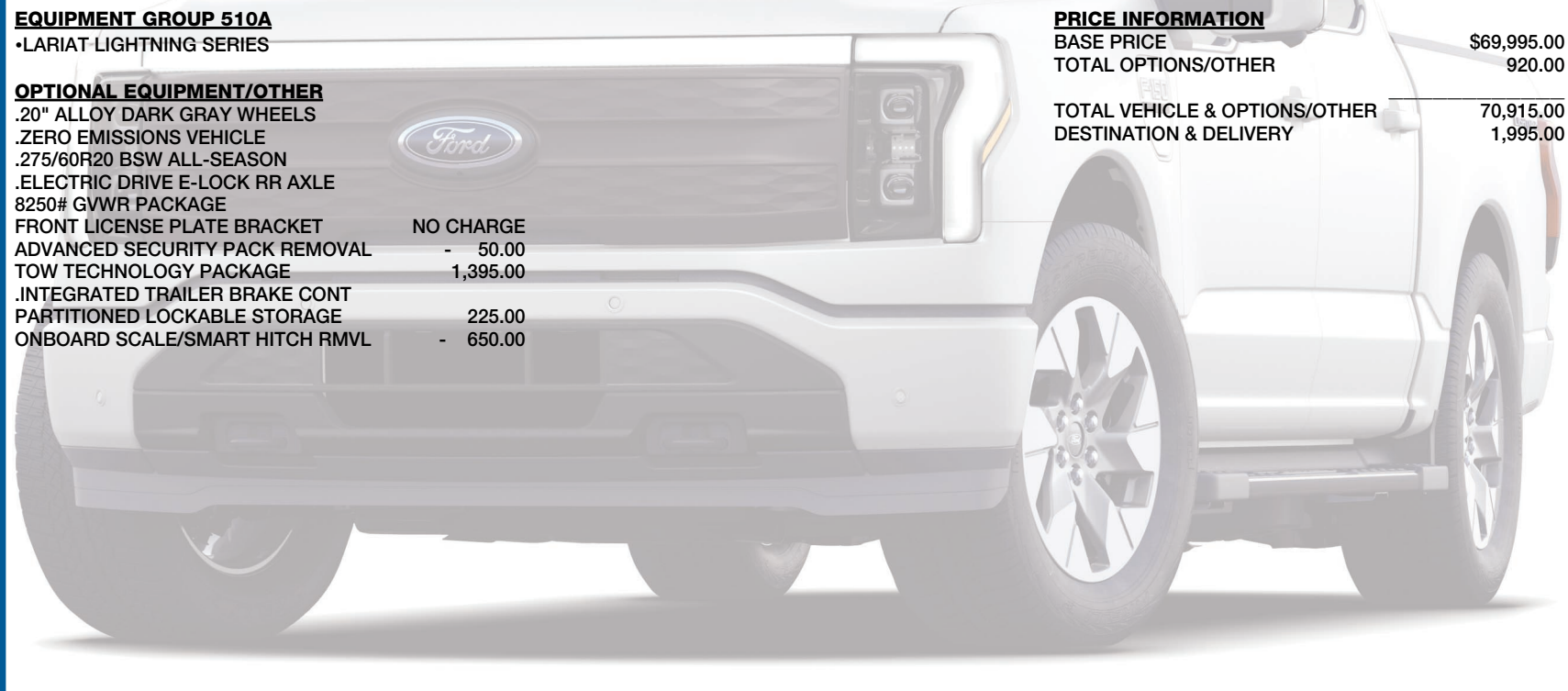
- LARIAT LIGHTNING SERIES

**OPTIONAL EQUIPMENT/OTHER**

- .20" ALLOY DARK GRAY WHEELS
- .ZERO EMISSIONS VEHICLE
- .275/60R20 BSW ALL-SEASON
- .ELECTRIC DRIVE E-LOCK RR AXLE
- 8250# GVWR PACKAGE
- FRONT LICENSE PLATE BRACKET NO CHARGE
- ADVANCED SECURITY PACK REMOVAL - 50.00
- TOW TECHNOLOGY PACKAGE 1,395.00
- .INTEGRATED TRAILER BRAKE CONT
- PARTITIONED LOCKABLE STORAGE 225.00
- ONBOARD SCALE/SMART HITCH RMVL - 650.00

**PRICE INFORMATION**

BASE PRICE	\$69,995.00
TOTAL OPTIONS/OTHER	920.00
<b>TOTAL VEHICLE &amp; OPTIONS/OTHER</b>	<b>70,915.00</b>
DESTINATION & DELIVERY	1,995.00



RAMP ONE	CD27	CONVOY	Whether you decide to lease or finance your vehicle, you'll find the choices that are right for you. See your dealer for details or visit <a href="http://www.ford.com/finance">www.ford.com/finance</a> .	<b>TOTAL MSRP \$72,910.00</b>
RAMP TWO	ITEM #: 71-8125 O/T 2			
This label is affixed pursuant to the Federal Automobile Information Disclosure Act. Gasoline, License, and Title Fees, State and Local taxes are not included. Dealer installed options or accessories are not included unless listed above.			PJ143 R RB 2X 370 002251 09 14 23	

### EPA DOT Fuel Economy and Environment

Electric Vehicle

**Fuel Economy**

**68 MPGe** combined city/hwy

76 city    61 highway    49 kW-hrs per 100 miles

**Driving Range**  
When fully fueled, vehicle can travel about... **240** miles

**Charge Time: 11.9 hours** (240V)

**You save \$2,750** in fuel costs over 5 years compared to the average new vehicle.

**Annual fuel cost \$1,050**

**Fuel Economy & Greenhouse Gas Rating** (tailpipe only) **9**

**Smog Rating** (tailpipe only) **10** Best

This vehicle emits 0 grams CO<sub>2</sub> per mile. The best emits 0 grams per mile (tailpipe only). Does not include emissions from generating electricity, learn more at [fuelconomy.gov](http://fuelconomy.gov).

Actual results will vary for many reasons, including driving conditions and how you drive and maintain your vehicle. The average new vehicle gets 28 MPG and costs \$8,000 to fuel over 5 years. Cost estimates are based on 15,000 miles per year at \$1.4 per kW-hr. MPGe is miles per gasoline gallon equivalent. Vehicle emissions are a significant cause of climate change and smog.

### fuelconomy.gov

Calculate personalized estimates and compare vehicles



### GOVERNMENT 5-STAR SAFETY RATINGS

<b>Overall Vehicle Score</b>	<b>Not Rated</b>	
Based on the combined ratings of frontal, side and rollover. Should ONLY be compared to other vehicles of similar size and weight.		
<b>Frontal Crash</b>	Driver Passenger	<b>Not Rated</b>
Based on the risk of injury in a frontal impact. Should ONLY be compared to other vehicles of similar size and weight.		
<b>Side Crash</b>	Front seat Rear seat	<b>Not Rated</b>
Based on the risk of injury in a side impact.		
<b>Rollover</b>	★★★★	
Based on the risk of rollover in a single-vehicle crash.		
Star ratings range from 1 to 5 stars (★★★★★), with 5 being the highest. Source: National Highway Traffic Safety Administration (NHTSA). <a href="http://www.safercar.gov">www.safercar.gov</a> or 1-888-327-4236		



The FordPass Connect™ modem is active and sending vehicle data (e.g., diagnostics) to Ford. See in-vehicle Settings for connectivity options.

FordPass Connect™ service and FordPass™ App required for certain remote features (see App Terms for more information). Connected service and related feature functionality is subject to compatible AT&T-network availability. Evolving technology / cellular networks may affect functionality and availability, or continued provision of some features, prohibiting them from functioning. Message and data rates may apply. See your local Ford website for our privacy policy.



Insist on Ford Protect! The only extended service plan fully backed by Ford and honored at every Ford dealership in the U.S., Canada and Mexico. See your Ford dealer or visit [www.FordOwner.com](http://www.FordOwner.com).



**WARNING:** Operating, servicing and maintaining a passenger vehicle, pickup truck, van, or off-road vehicle can expose you to chemicals including phthalates and lead, which are known to the State of California to cause cancer and birth defects or other reproductive harm. To minimize exposure, wear gloves or wash your hands frequently when servicing your vehicle. For more information go to [www.P65Warnings.ca.gov/passenger-vehicle](http://www.P65Warnings.ca.gov/passenger-vehicle).

SCAN OR TEXT 1FPWG39814 TO 48028

Msg & Data rates may apply. Text HELP for help

[www.ford.com/help/privacy-terms/](http://www.ford.com/help/privacy-terms/)