



ford.com

VEHICLE DESCRIPTION

F-150 LIGHTNING

PW G39814

2023 F-150 4X4 SUPERCREW
145" WHEELBASE
DUAL EMOTOR-STANDARD BATTERY
SINGLE-SPEED TRANSMISSION

EXTERIOR OXFORD WHITE
INTERIOR BLACK LTHR TRIM BUCKET SEAT

STANDARD EQUIPMENT INCLUDED AT NO EXTRA CHARGE

EXTERIOR

- BOX LIGHTING-LED
- BOXLINK™
- HEADLAMPS - AUTO HIGH BEAM
- HEADLAMPS - AUTOLAMP (ON/OFF)
- LARGE FRONT TRUNK AREA
- LED PROJECTOR W/ DYNAMIC BENDING HEADLAMPS
- LOCKING REMOVABLE TAILGATE WITH TAILGATE ASSIST
- PICKUP BOX TIE DOWN HOOKS
- POWER MIRRORS - FOLDABLE
- POWER UP/DOWN FRONT HOOD
- POWER UP/DOWN TAILGATE

INTERIOR

- 10-WAY PWR DRV & MULTI-ADJ PWR FRT PASS
- 12" PRODUCTIVITY SCREEN
- 1TOUCH UP/DOWN DR/PASS WIN
- 60/40 FOLD-UP REAR BENCH
- A/C W/DUAL CLIMATE CONTROL
- AMBIENT LIGHTING
- AUTO-DIM REARVIEW MIRROR
- HTD/VENTILATED FRT SEATS
- ILLUMINATED ENTRY
- INTERIOR WORK SURFACE
- PEDALS - POWER ADJUSTABLE
- SLIDING REAR WINDOW W/ DEFROST & PRIVACY GLASS

FUNCTIONAL

- 360-DEGREE CAMERA
- B&O SOUND SYSTEM, 8 SPKR
- BLIS W/CROSS-TRAFFIC ALERT
- CLASS IV TRAILER HITCH
- EVASIVE STEERING ASSIST
- FORDPASS CONNECT™ 4G HOTSPOT TELEMATICS MODEM
- FORWARD SENSING SYSTEM
- INTELL ADAPT CRUISE CTRL
- LANE-KEEPING SYSTEM
- POST-COLLISION BRAKING
- PRE-COLLISION ASSIST W/AEB
- SECURICODE, KEYLESS ENTRY
- SELECTABLE DRIVE MODES
- SYNC@4A W/EVR & 15.5" SCR N

SAFETY/SECURITY

- ADVANCED SECURITY PACK
- AIRBAGS - FRONT SEAT MOUNTED SIDE IMPACT
- AIRBAGS - SAFETY CANOPY@
- LED CTR HIGH MNT STOP LAMP
- PERIMETER ALARM
- SOS POST-CRASH ALERT SYSTM™

WARRANTY

- 3YR/36,000 BUMPER / BUMPER
- 5YR/60,000 POWERTRAIN
- 5YR/60,000 ROADSIDE ASSIST
- 5YR/60,000 SAFETY RESTRAINT SYS
- 8YR/100,000 ELECTRIC VEHICLE COMPONENTS

INCLUDED ON THIS VEHICLE

(MSRP)

EQUIPMENT GROUP 510A

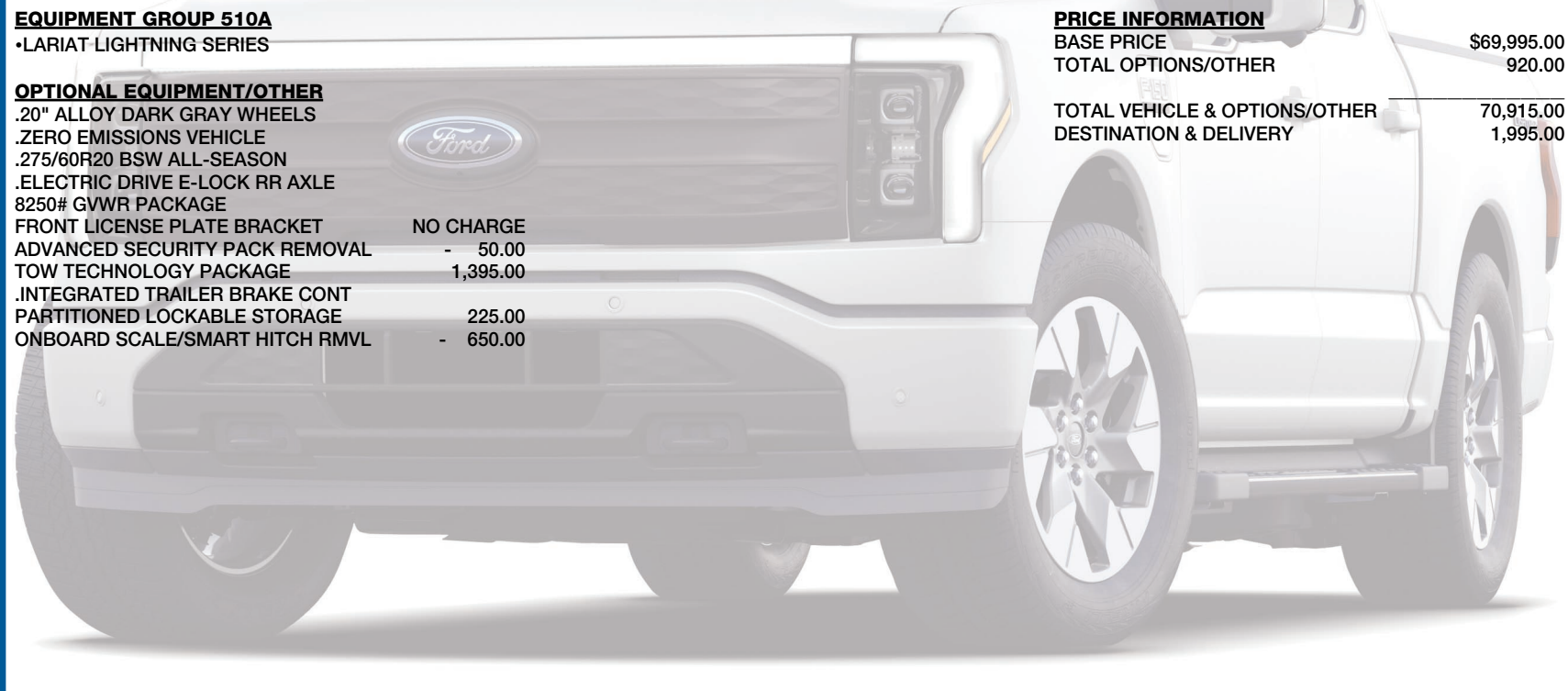
- LARIAT LIGHTNING SERIES

OPTIONAL EQUIPMENT/OTHER

- .20" ALLOY DARK GRAY WHEELS
- .ZERO EMISSIONS VEHICLE
- .275/60R20 BSW ALL-SEASON
- .ELECTRIC DRIVE E-LOCK RR AXLE
- 8250# GVWR PACKAGE
- FRONT LICENSE PLATE BRACKET NO CHARGE
- ADVANCED SECURITY PACK REMOVAL - 50.00
- TOW TECHNOLOGY PACKAGE 1,395.00
- .INTEGRATED TRAILER BRAKE CONT
- PARTITIONED LOCKABLE STORAGE 225.00
- ONBOARD SCALE/SMART HITCH RMVL - 650.00

PRICE INFORMATION

BASE PRICE	\$69,995.00
TOTAL OPTIONS/OTHER	920.00
TOTAL VEHICLE & OPTIONS/OTHER	70,915.00
DESTINATION & DELIVERY	1,995.00



RAMP ONE	CD27	CONVOY	Whether you decide to lease or finance your vehicle, you'll find the choices that are right for you. See your dealer for details or visit www.ford.com/finance .	TOTAL MSRP \$72,910.00
RAMP TWO	ITEM #: 71-8125 O/T 2			
This label is affixed pursuant to the Federal Automobile Information Disclosure Act. Gasoline, License, and Title Fees, State and Local taxes are not included. Dealer installed options or accessories are not included unless listed above.			PJ143 R RB 2X 370 002251 09 14 23	

EPA DOT Fuel Economy and Environment Electric Vehicle

Fuel Economy

68 MPGe combined city/hwy

76 city 61 highway 49 kW-hrs per 100 miles

Driving Range
When fully fueled, vehicle can travel about... **240** miles

Charge Time: 11.9 hours (240V)

You save \$2,750 in fuel costs over 5 years compared to the average new vehicle.

Annual fuel cost \$1,050

Fuel Economy & Greenhouse Gas Rating (tailpipe only) **9**

Smog Rating (tailpipe only) **10** Best

This vehicle emits 0 grams CO₂ per mile. The best emits 0 grams per mile (tailpipe only). Does not include emissions from generating electricity, learn more at fuelconomy.gov.

Actual results will vary for many reasons, including driving conditions and how you drive and maintain your vehicle. The average new vehicle gets 28 MPG and costs \$8,000 to fuel over 5 years. Cost estimates are based on 15,000 miles per year at \$1.4 per kW-hr. MPGe is miles per gasoline gallon equivalent. Vehicle emissions are a significant cause of climate change and smog.

fuelconomy.gov
Calculate personalized estimates and compare vehicles

GOVERNMENT 5-STAR SAFETY RATINGS

Overall Vehicle Score Not Rated
Based on the combined ratings of frontal, side and rollover. Should ONLY be compared to other vehicles of similar size and weight.

Frontal Crash	Driver Passenger	Not Rated
Side Crash	Front seat Rear seat	Not Rated
Rollover		★★★★

Star ratings range from 1 to 5 stars (★★★★★), with 5 being the highest. Source: National Highway Traffic Safety Administration (NHTSA). www.safercar.gov or 1-888-327-4236

2023 MOTORTREND TRUCK OF THE YEAR

2023 NORTH AMERICAN TRUCK OF THE YEAR

The FordPass Connect™ modem is active and sending vehicle data (e.g., diagnostics) to Ford. See in-vehicle Settings for connectivity options.

FordPass Connect™ service and FordPass™ App required for certain remote features (see App Terms for more information). Connected service and related feature functionality is subject to compatible AT&T-network availability. Evolving technology / cellular networks may affect functionality and availability, or continued provision of some features, prohibiting them from functioning. Message and data rates may apply. See your local Ford website for our privacy policy.

Ford FORD PROTECT™

Insist on Ford Protect! The only extended service plan fully backed by Ford and honored at every Ford dealership in the U.S., Canada and Mexico. See your Ford dealer or visit www.FordOwner.com.

1FTVW1EL8PWG39814

WARNING: Operating, servicing and maintaining a passenger vehicle, pickup truck, van, or off-road vehicle can expose you to chemicals including phthalates and lead, which are known to the State of California to cause cancer and birth defects or other reproductive harm. To minimize exposure, wear gloves or wash your hands frequently when servicing your vehicle. For more information go to www.P65Warnings.ca.gov/passenger-vehicle.

SCAN QR OR TEXT 1FPWG39814 TO 48028

Msg & Data rates may apply. Text HELP for help

www.ford.com/help/privacy-terms/