



ford.com

VEHICLE DESCRIPTION

# F-150 LIGHTNING

## PW G39425

2023 F-150 4X4 SUPERCREW  
145" WHEELBASE  
DUAL EMOTOR-STANDARD BATTERY  
SINGLE-SPEED TRANSMISSION

EXTERIOR OXFORD WHITE  
INTERIOR MED DARK SLATE VINYL BUCKET

STANDARD EQUIPMENT INCLUDED AT NO EXTRA CHARGE

**EXTERIOR**

- DAYTIME RUNNING LAMPS
- FULLY BOXED STEEL FRAME
- HEADLAMPS - AUTO HIGH BEAM
- HEADLAMPS - AUTOLAMP (ON/OFF)
- LARGE FRONT TRUNK AREA
- LED PROJECTOR W/ DYNAMIC BENDING HEADLAMPS
- LOCKING REMOVABLE TAILGATE WITH TAILGATE ASSIST
- PICKUP BOX TIE DOWN HOOKS
- POWER UP/DOWN FRONT HOOD
- REAR PRIVACY GLASS
- TRAILER SWAY CONTROL

**INTERIOR**

- 12" PRODUCTIVITY SCREEN
- 1TOUCH UP/DOWN DR/PASS WIN
- 60/40 FOLD-UP REAR BENCH
- A/C W/DUAL CLIMATE CONTROL
- AUTO-DIM REARVIEW MIRROR
- DOOR LOCKS - POWER
- DUAL VISOR VANITY MIRRORS
- FRONT ROW HEATED SEATS
- MESSAGE CTR: OUTSIDE TEMP, COMPASS, TRIP COMPUTER
- POWERPOINT - 2 120V
- TILT/TELESCOPE STR COLUMN

**FUNCTIONAL**

- AUTO HOLD
- BLIS W/CROSS-TRAFFIC ALERT
- CLASS IV TRAILER HITCH
- COIL SPRINGS FRONT & REAR
- FORDPASS CONNECT™ 4G HOTSPOT TELEMATICS MODEM
- LANE-KEEPING SYSTEM
- POST-COLLISION BRAKING
- PRE-COLLISION ASSIST W/AEB
- REAR ELOCKING AXLE
- REVERSE BRAKE ASSIST
- REVERSE SENSING AND REAR VIEW CAMERA
- SELECTABLE DRIVE MODES
- SYNC@4 W/EVR & 12" SCREEN

**SAFETY/SECURITY**

- ADVANCETRAC™ WITH RSC®
- AIRBAGS - FRONT SEAT MOUNTED SIDE IMPACT
- AIRBAGS - SAFETY CANOPY®
- LED CTR HIGH MNT STOP LAMP
- PERIMETER ALARM
- SOS POST-CRASH ALERT SYSTM™

**WARRANTY**

- 3YR/36,000 BUMPER / BUMPER
- 5YR/60,000 POWERTRAIN
- 5YR/60,000 ROADSIDE ASSIST
- 5YR/60,000 SAFETY RESTRAINT SYS
- 8YR/100,000 ELECTRIC VEHICLE COMPONENTS

INCLUDED ON THIS VEHICLE

(MSRP)

**EQUIPMENT GROUP 110A**

- PRO SERIES

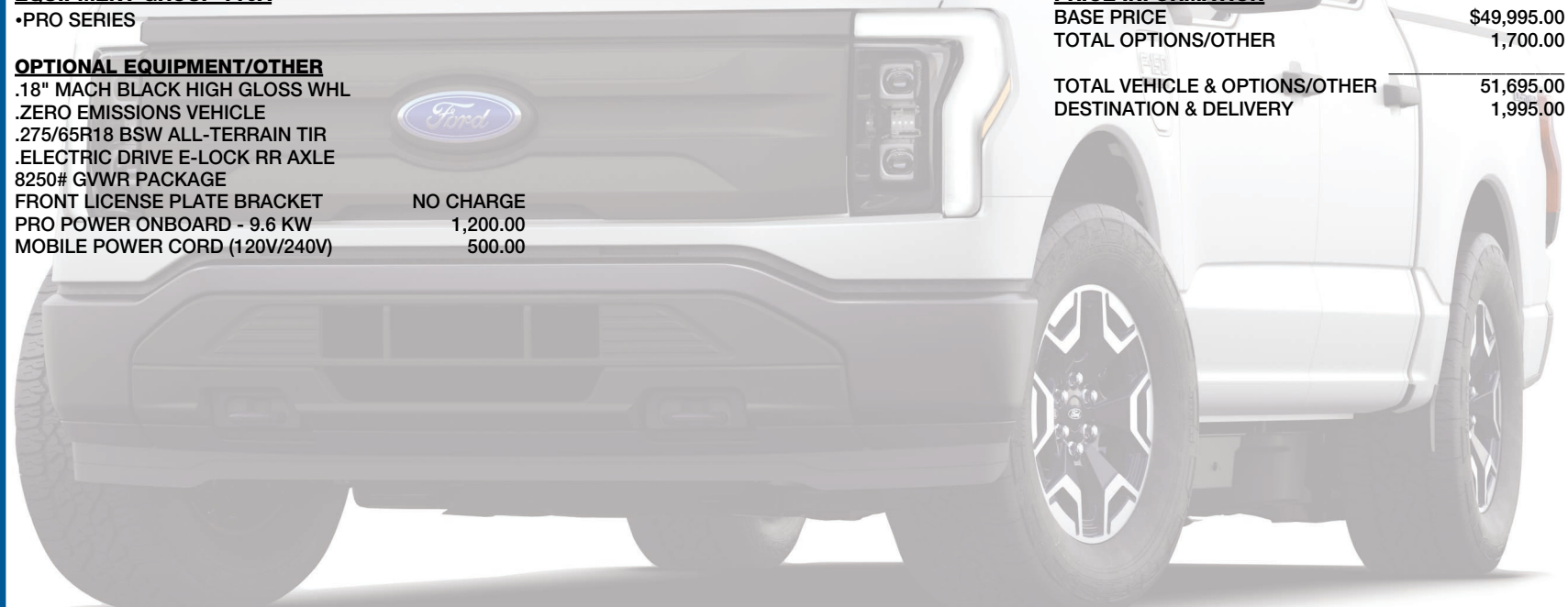
**OPTIONAL EQUIPMENT/OTHER**

- .18" MACH BLACK HIGH GLOSS WHL
- .ZERO EMISSIONS VEHICLE
- .275/65R18 BSW ALL-TERRAIN TIR
- .ELECTRIC DRIVE E-LOCK RR AXLE
- 8250# GVWR PACKAGE
- FRONT LICENSE PLATE BRACKET
- PRO POWER ONBOARD - 9.6 KW
- MOBILE POWER CORD (120V/240V)

NO CHARGE  
1,200.00  
500.00

**PRICE INFORMATION**

BASE PRICE	\$49,995.00
TOTAL OPTIONS/OTHER	1,700.00
<b>TOTAL VEHICLE &amp; OPTIONS/OTHER</b>	<b>51,695.00</b>
DESTINATION & DELIVERY	1,995.00



RAMP ONE	CH80	CONVOY	Whether you decide to lease or finance your vehicle, you'll find the choices that are right for you. See your dealer for details or visit <a href="http://www.ford.com/finance">www.ford.com/finance</a> .	<b>TOTAL MSRP \$53,690.00</b>
RAMP TWO	ITEM #: 52-1023 O/T 2			
This label is affixed pursuant to the Federal Automobile Information Disclosure Act. Gasoline, License, and Title Fees, State and Local taxes are not included. Dealer installed options or accessories are not included unless listed above.			PJ271 N RB 2X 370 010799 09 27 23	

### EPA DOT Fuel Economy and Environment

Electric Vehicle

**Fuel Economy**

**68 MPGe** combined city/hwy

Standard Pickup Trucks range from 12 to 70 MPGe. The best vehicle rates 132 MPGe.

**You save \$2,750** in fuel costs over 5 years compared to the average new vehicle.

76 city, 61 highway, 49 kW-hrs per 100 miles

**Driving Range**  
When fully fueled, vehicle can travel about... **240** miles

Charge Time: 11.9 hours (240V)

**Annual fuel cost \$1,050**

**Fuel Economy & Greenhouse Gas Rating** (tailpipe only) **9**

**Smog Rating** (tailpipe only) **10** Best

This vehicle emits 0 grams CO2 per mile. The best emits 0 grams per mile (tailpipe only). Does not include emissions from generating electricity, learn more at [fuelconomy.gov](http://fuelconomy.gov).

Actual results will vary for many reasons, including driving conditions and how you drive and maintain your vehicle. The average new vehicle gets 28 MPG and costs \$8,000 to fuel over 5 years. Cost estimates are based on 15,000 miles per year at \$1.4 per kW-hr. MPGe is miles per gasoline gallon equivalent. Vehicle emissions are a significant cause of climate change and smog.

[fuelconomy.gov](http://fuelconomy.gov)

Calculate personalized estimates and compare vehicles



### GOVERNMENT 5-STAR SAFETY RATINGS

<b>Overall Vehicle Score</b>	<b>Not Rated</b>	
Based on the combined ratings of frontal, side and rollover. Should ONLY be compared to other vehicles of similar size and weight.		
<b>Frontal Crash</b>	Driver Passenger	<b>Not Rated</b>
Based on the risk of injury in a frontal impact. Should ONLY be compared to other vehicles of similar size and weight.		
<b>Side Crash</b>	Front seat Rear seat	<b>Not Rated</b>
Based on the risk of injury in a side impact.		
<b>Rollover</b>	★★★★	
Based on the risk of rollover in a single-vehicle crash.		

Star ratings range from 1 to 5 stars (★★★★★), with 5 being the highest. Source: National Highway Traffic Safety Administration (NHTSA). [www.safercar.gov](http://www.safercar.gov) or 1-888-327-4236



**WARNING:** Operating, servicing and maintaining a passenger vehicle, pickup truck, van, or off-road vehicle can expose you to chemicals including phthalates and lead, which are known to the State of California to cause cancer and birth defects or other reproductive harm. To minimize exposure, wear gloves or wash your hands frequently when servicing your vehicle. For more information go to [www.P65Warnings.ca.gov/passenger-vehicle](http://www.P65Warnings.ca.gov/passenger-vehicle).



The FordPass Connect™ modem is active and sending vehicle data (e.g., diagnostics) to Ford. See in-vehicle Settings for connectivity options.

FordPass Connect™ service and FordPass™ App required for certain remote features (see App Terms for more information). Connected service and related feature functionality is subject to compatible AT&T-network availability. Evolving technology / cellular networks may affect functionality and availability, or continued provision of some features, prohibiting them from functioning. Message and data rates may apply. See your local Ford website for our privacy policy.



Insist on Ford Protect! The only extended service plan fully backed by Ford and honored at every Ford dealership in the U.S., Canada and Mexico. See your Ford dealer or visit [www.FordOwner.com](http://www.FordOwner.com).

SCAN OR TEXT 1FPW639425 TO 48028

Msg & Data rates may apply. Text HELP for help

[www.ford.com/help/privacy-terms/](http://www.ford.com/help/privacy-terms/)